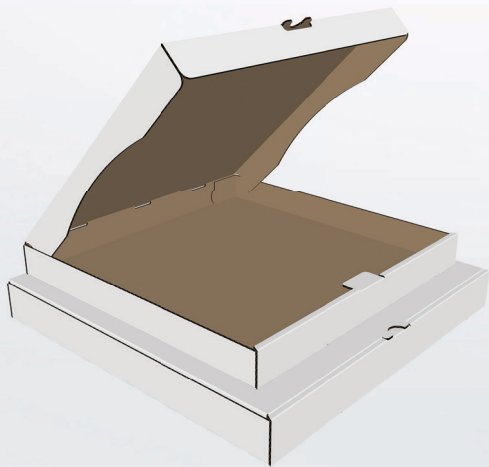


Elevate your brand with Victoria Bay Pizza Boxes, where excellence in quality, style, and functionality effortlessly combine.

- Pristine white exterior for standout branding and Kraft interior for durability and grease resistance.
- The Board grade ensures strength for easy transportation, keeping pizzas hot and ready for customer pickup or delivery.
- Easily assembled for efficient preparation.
- Locking feature prevents the lid from being opened unintentionally, ensuring pizza security during transit.
- Sturdy construction yet lightweight for easy handling by your staff.

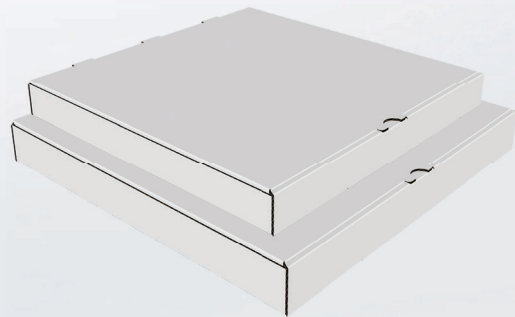
White Out / Kraft In



10" | 10" x 10" x 1.75" | Square

Case Qty: 50

Item #: [342003](#) | [VBPZ10DW](#)



12" | 12" x 12" x 1.75" | Square

Case Qty: 50

Item #: [342004](#) | [VBPZ12DW](#)

14" | 14" x 14" x 1.75" | Square

Case Qty: 50

Item #: [342005](#) | [VBPZ14DW](#)

16" | 16" x 16" x 1.75" | Square

Case Qty: 50

Item #: [342006](#) | [VBPZ16DW](#)

[Click on product code to access the Technical Data Sheet.](#)

PIZBOX0424CAEN

For more information please contact your sales representative